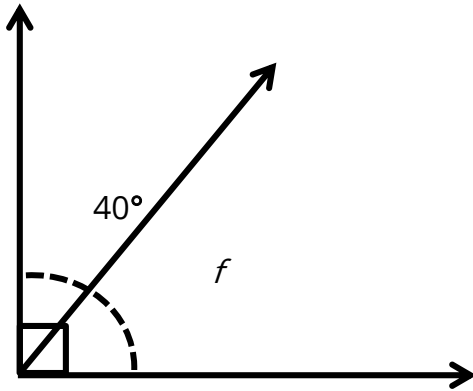


## Possible Solutions



The box in the angle means it is  $90^\circ$ .

$$40^\circ + f = 90^\circ$$

$$f = 90^\circ - 40^\circ$$

$$f = 50^\circ$$